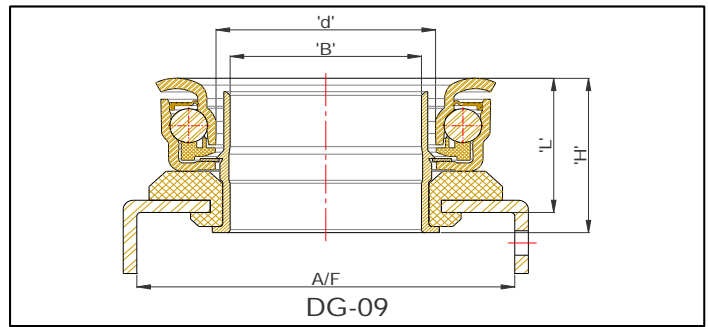
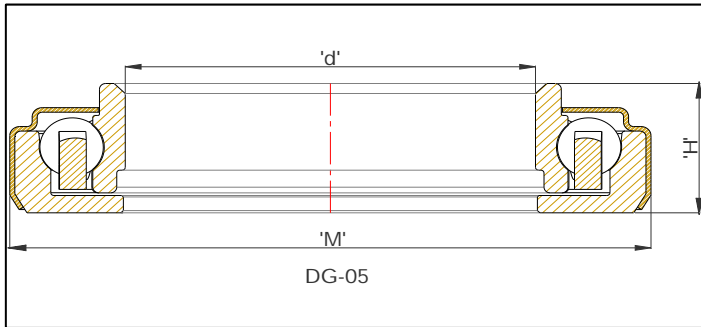
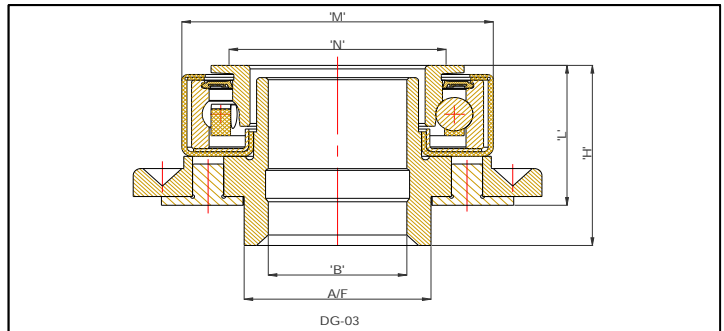
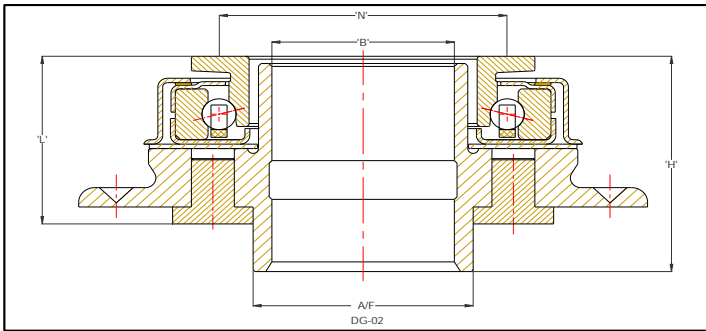


Clutch Release Bearings



Height (Bearing & Hub)	Min	16
	Max	97

Inner ID	Min	32
	Max	80

Outer ID	Min	48
	Max	128

Hub ID	Min	28
	Max	60

Dimensions in MM