
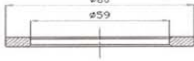

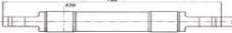

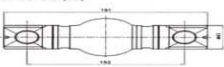

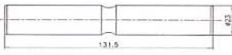

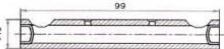

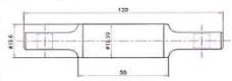

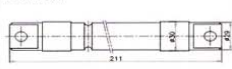

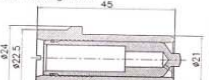

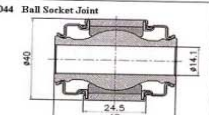

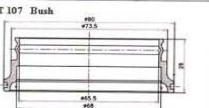


**AUTO COMPONENTS**  
for Medium Duty Trucks, Earthmoving, Construction Equipment Industry



Photograph	Part Number / Name	Ref. OEM No.
	<b>LIT 102 Metal Ring</b> 	MAN: 034 003 1024 VOLVO : SCANIA : USED IN : GEAR BOX
	<b>LIT 122 Pin</b> 	MAN: MERCEDES TRUK : 034 025 0014 SCANIA : USED IN : REPAIR KIT OF RELEASE BEARING
	<b>LIT 125 Hub (Pin)</b> 	MAN: 12-34 220 6108, 12-34 301 6133 SCANIA : USED IN : SUSPENSION
	<b>LIT 108 King Pin</b> 	MAN: 12-34 205 6010 MERCEDES TRUK : 034 033 0044 SCANIA : USED IN : KING PIN KIT
	<b>LIT 072 Pin</b> 	MAN: VOLVO : SCANIA : USED IN : GEAR BOX
	<b>LIT 113 Pin</b> 	MAN: MERCEDES TRUK : 034 023 0023 SCANIA : USED IN : REPAIR KIT, GEAR SHAFT LIVER
	<b>LIT 063 Pin</b> 	MAN: VOLVO : SCANIA : USED IN : GEAR BOX
	<b>LIT 004 Housing Piston</b> 	MERCEDES CAR : 014 005 0063 MERCEDES TRUK : 014 005 0063 SCANIA : USED IN : TIMING CHAIN TENSIONER
	<b>LIT 044 Ball Socket Joint</b> 	MAN: MERCEDES CAR : 016 010 6313 SCANIA : USED IN : REAR AXLE LEFT & RIGHT
	<b>LIT 107 Bush</b> 	MAN: VOLVO : SCANIA : USED IN :